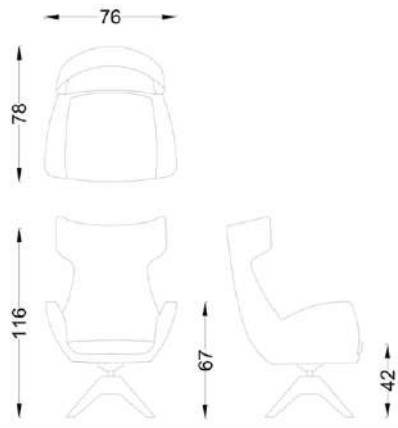
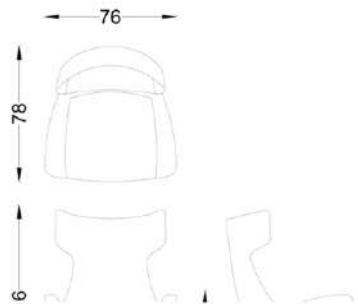


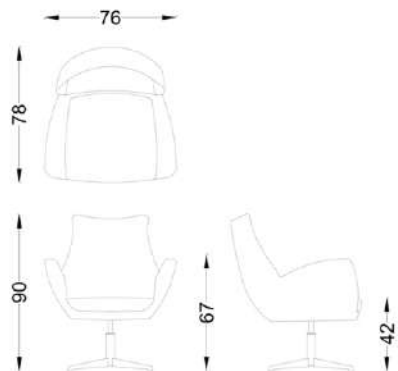
TESLA 0001 TESLA WOOD LEG



TESLA 0002 TESLA METAL LEG



TESLAK 0002 TESLA METAL LEG



KOD / CODE	MODEL	U / L	D / D	Y / H	KG	M ³	LEATHER	
							FABRIC	GENUINE LEATHER
TESLA 0001	WOOD LEG	76	78	116	21,2	0,65	2,9	5,8
TESLA 0002	METAL LEG	76	78	116	22,1	0,61	2,9	5,8
TESLAK 0001	WOOD LEG	76	78	90	20		2,15	4,3
TESLAK 0002	METAL LEG	76	78	90	21		2,15	4,3

Framework : Cast polyurethane sponge on metal skeleton. B1 fireproof feature according to MVSS 301 norms.
 Sponge : Complete polyurethane sponge
 Legs: Wood Legs; Beech, Metal Legs; Special laser cut 8mm sheet metal.
 Alternates for fabric and for faux leather.