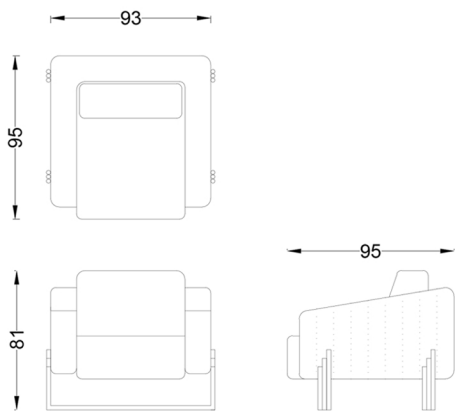
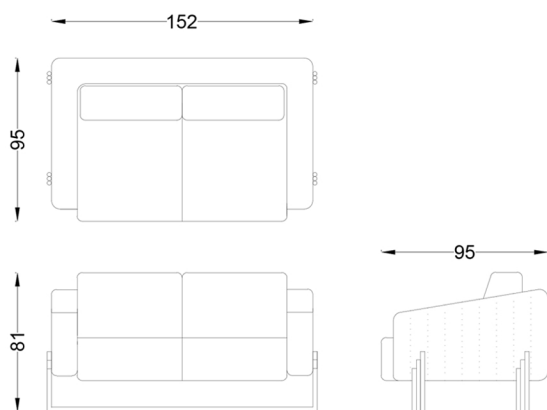


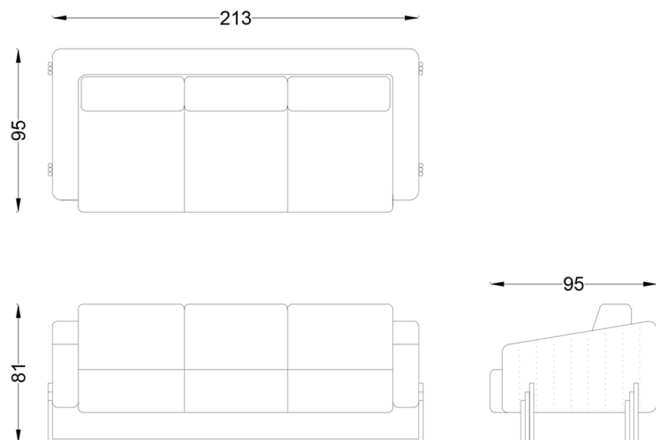
CLD 0001 CLOUD SINGLE



CLD 0002 CLOUD DOUBLE



CLD 0003 CLOUD TRIBLE



KOD / CODE	MODEL	U / L	D / D	Y / H	KG	M ³	LEATHER FABRIC M	GENUINE LEATHER M ²
CLD 0001	SINGLE	93	95	81	31	0,72	4,5	9
CLD 0002	DOUBLE	152	95	81	48	1,17	7	14
CLD 0003	TRIBLE	213	95	81	65	1,64	9,2	18,4

Framework : 20*20*1mm and 20*40*1.5mm profile, 18mm chipboard, mdf and hornbeam wood.

Sponge : Cushion is polyurethane injection molding. Seat 8 cms 30dns sponge. Top 2 cms 28dns. Inner arm 1 cm 22dns. Inner back 1 cm 22dns sponge. 2 cms 25dns down on arms and inside back are feather.

Legs : 21*2mm metal pipe profile.

Alternates for fabric and for faux leather.

