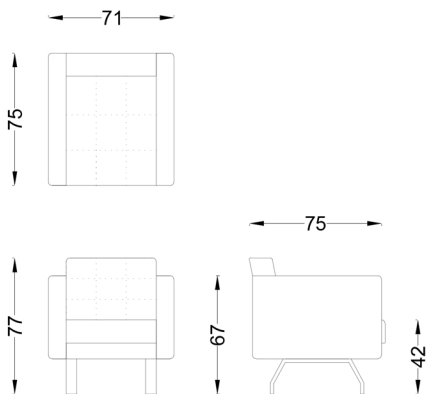
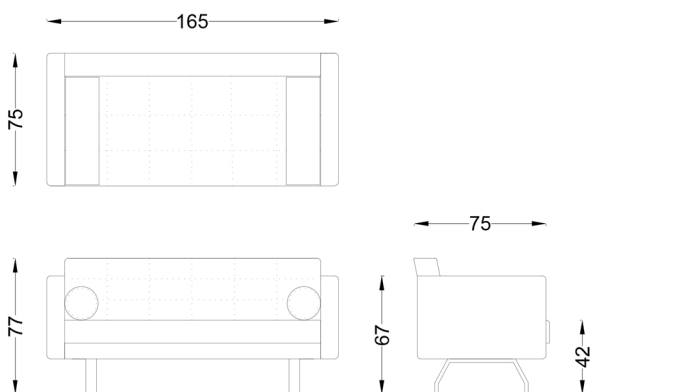


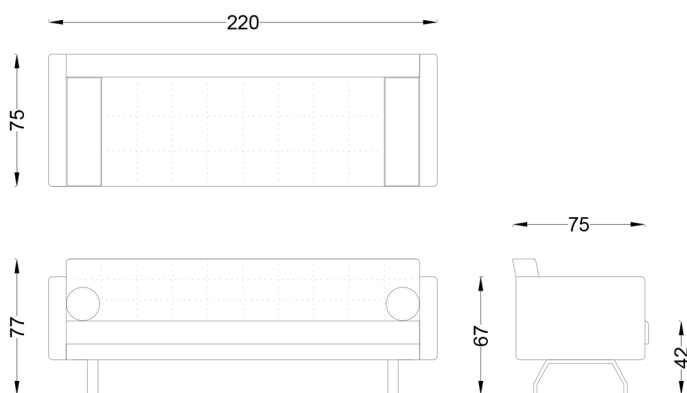
LX 0001 LUX SINGLE



LX 0002 LUX DOUBLE



LX 0003 LUX TRIBLE



| KOD / CODE | MODEL | U / L | D / D | Y / H | KG | M ³ | LEATHER FABRIC M | GENUINE LEATHER M ² |
|------------|--------|-------|-------|-------|------|----------------|---------------------|-----------------------------------|
| LX 0001 | SINGLE | 71 | 75 | 77 | 26 | 0,45 | 3,2 | 7 |
| LX 0002 | DOUBLE | 165 | 75 | 77 | 39,5 | 1,01 | 5,8 | 12 |
| LX 0003 | TRIBLE | 220 | 75 | 77 | 53 | 1,32 | 7,2 | 14,5 |

Framework : 20*20*1mm and 20*40*1.5mm metal profile. Particle board and hornbeam wood on metal skeleton.

Sponge : Seat 8 cms of 30 dream soft sponge over 2 cms 28dns hard sponge. Inner back 5 cms 22dns, 2 cms of 22dns sponge on upper side. 1 cm of 22dns sponge for the upper side. Inside arm, outside arm, outer back 1 cm 22dns sponge. 2 cms of 45dns bondex sponge on arm.

Legs : 30*60*2mm chrome coated metal profile.

Alternates for fabric and for faux leather.