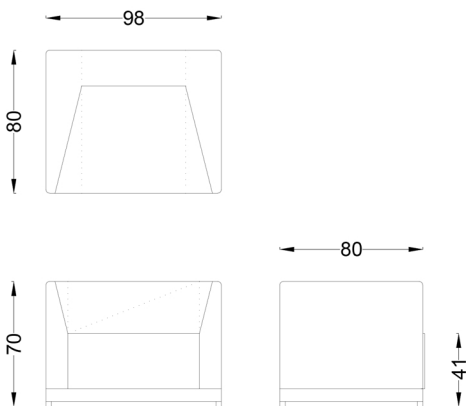
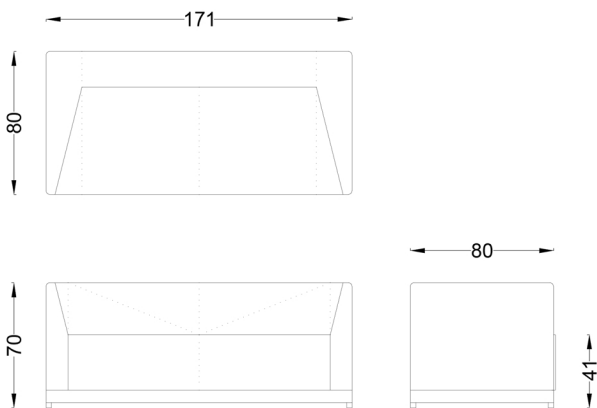


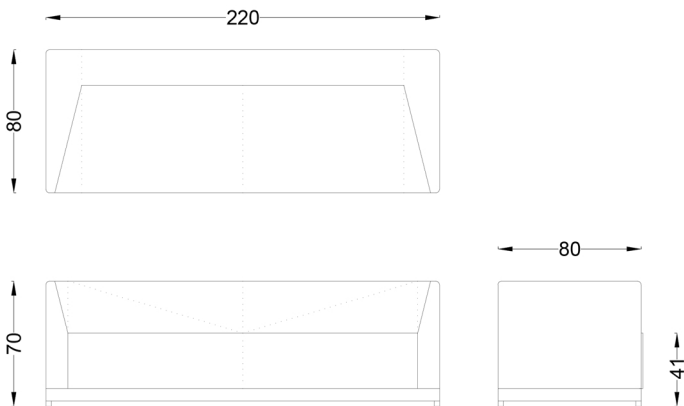
PRZM 0001 PRIZMA SINGLE



PRZM 0002 PRIZMA DOUBLE



PRZM 0003 PRIZMA TRIBLE



KOD / CODE	MODEL	U / L	D / D	Y / H	KG	M ³	LEATHER	GENUINE
							FABRIC	LEATHER
							M	M ²
PRZM 0001	SINGLE	98	80	70	31	0,6	4	8
PRZM 0002	DOUBLE	171	80	70	48	0,95	6	12
PRZM 0003	TRIBLE	220	80	70	58	1,3	8	16

Framework : 20*20*1 mm / 20*40*1.5mm profile metal framework. Beech wood and chipboard on metal framework.

Sponge : seat is 30 dream soft sponge of 10 cm. inner back is 22dns hard sponge of 5 cm. Inner-outer arm, 1cm 22dns hard sponge to upper faceplate.

Leg : Floor protective rubber stopper.

Fabric and faux leather alternatives are available.